

Wire wrapping type male connector for PCB HKP-()M2W

2.54 mm pitch connector

For PCB

Wire wrapping

RoHS

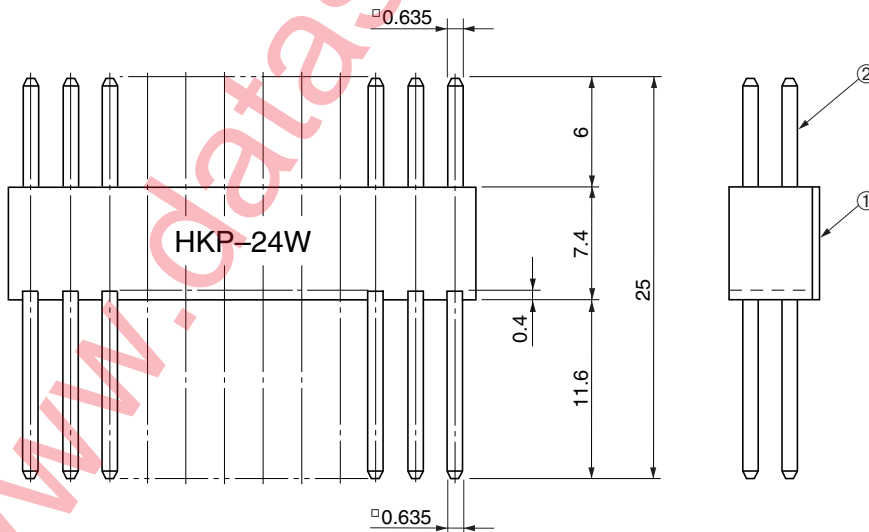
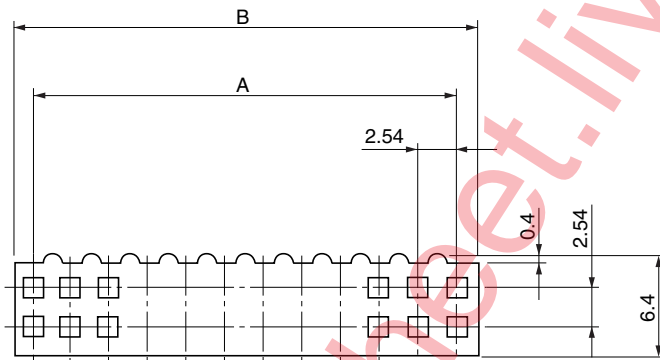


● Configuration of product Part No.

HKP- () M 2W

① ② ③

- ① Series name
- ② No. of contacts: 4-70
- ③ Type of contact
M2W: Wire wrapping type, male



● Dimensions

Part No.	A	B
HKP-4M2W	2.54	5.68
HKP-6M2W	5.08	8.22
HKP-8M2W	7.62	10.76
HKP-10M2W	10.16	13.30
HKP-12M2W	12.70	15.84
HKP-14M2W	15.24	18.38
HKP-16M2W	17.78	20.92
HKP-18M2W	20.32	23.46
HKP-20M2W	22.86	26.00
HKP-22M2W	25.40	28.54
HKP-24M2W	27.94	31.08
HKP-26M2W	30.48	33.62
HKP-28M2W	33.02	36.16
HKP-30M2W	35.56	38.70
HKP-32M2W	38.10	41.24
HKP-34M2W	40.64	43.78
HKP-36M2W	43.18	46.32
HKP-38M2W	45.72	48.86
HKP-40M2W	48.26	51.40
HKP-42M2W	50.80	53.94
HKP-44M2W	53.34	56.48
HKP-46M2W	55.88	59.02
HKP-48M2W	58.42	61.56
HKP-50M2W	60.96	64.10
HKP-52M2W	63.50	66.64
HKP-54M2W	66.04	69.18
HKP-56M2W	68.58	71.72
HKP-58M2W	71.12	74.26
HKP-60M2W	73.66	76.80
HKP-62M2W	76.20	79.34
HKP-64M2W	78.74	81.88
HKP-66M2W	81.28	84.42
HKP-68M2W	83.82	86.96
HKP-70M2W	86.36	89.50

● Components

①	Insulator
②	Contact

Mating connectors: HKP series double-row type female connector