

New Digital Audio Transmitter Supports 192 kHz It's DVD-Audio Ready Today

CS8406 Features

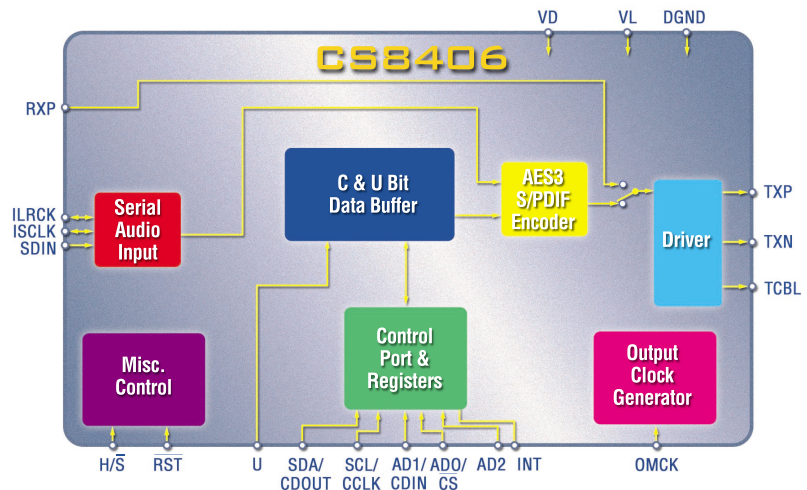
- Complete EIAJ CP 1201, IEC-60958, AES3, S/PDIF compatible transmitter
- +3.3 V digital supply (VD+)
- On-chip channel status user bit buffer memories allow block-sized updates
- Flexible 3-wire serial digital audio input port
- Up to 192 kHz frame rate
- +3.3 V to +5.0 V digital interface supply (VL+)
- Microcontroller write access to channel status and user bit data
- On-chip differential line driver
- Generates CRC codes and parity bits
- Standalone mode allows use without a microcontroller
- Available in 28-pin SOIC/TSSOP
- CS8406 price: \$1.99 (10K)

CS8406 Applications

- DVD Audio Players
- Digital AV Receivers
- DVD Recorders
- Personal Video Recorders (PVRs)
- Digital Mixing Consoles



Actual Size



The CS8406 is a digital audio transmitter that supports 192 kHz needed for next generation audio formats like DVD-Audio. It enables consumer and professional audio products to exchange 192kHz S/PDIF and AES/EBU audio data. The CS8406 accepts and encodes audio and digital data, which is then multiplexed, encoded and driven onto a cable/optical transmission interface. Its flexible 3-wire serial digital audio input port, on-chip channel status and user bit buffer memories allow block-sized updates without the need for external memory. And, the CS8406 includes an on-chip low skew, low impedance, differential line driver that permits transmission over longer cable lengths. The CS8406 is fully compatible with EIAJ, IEC, S/PDIF and AES standards. It's ideal for a wide range of consumer and professional applications, like DVD-Audio players, digital A/V receivers, DVD-Recorders, personal video recorders (PVRs), digital mixing consoles, effects processors and automotive audio systems. The CS8406 is also pin compatible with the CS8405A 96 kHz digital audio transmitter.

The CS8406 is a Cirrus Total-E™ IC solution specifically designed for consumer entertainment electronics.